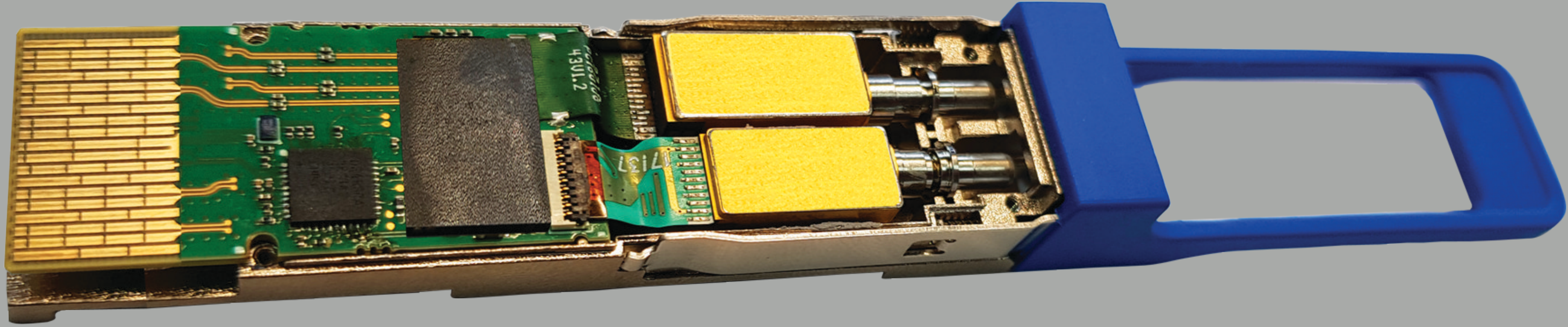


the complexity of
hyper speed
transceivers

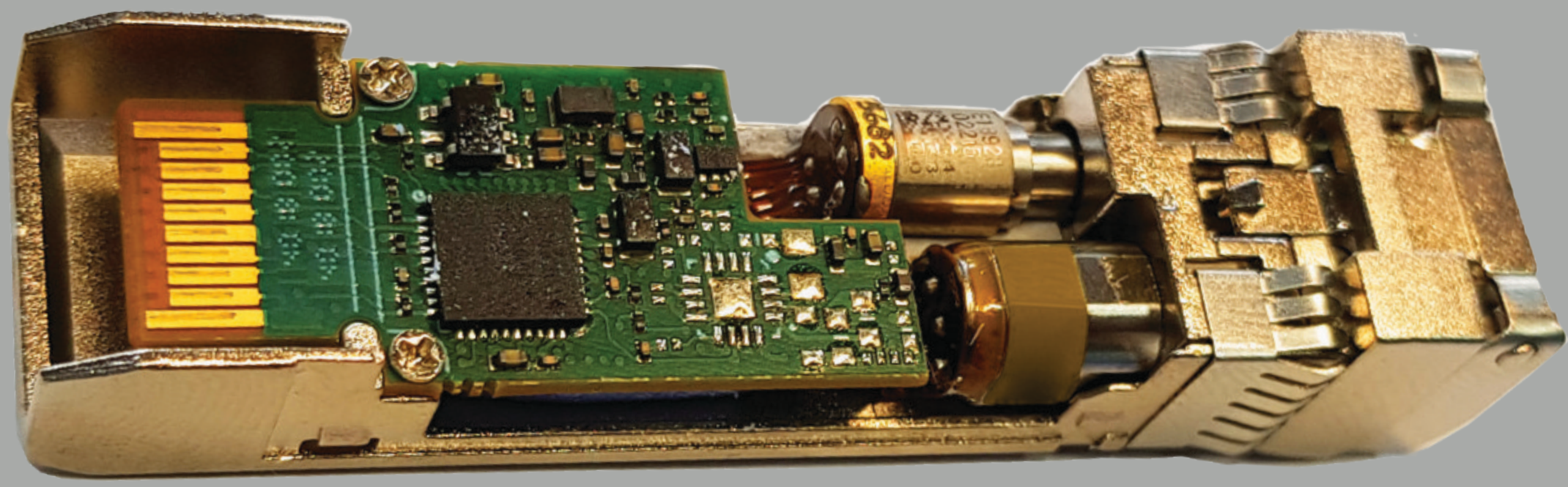


lets make it

400G

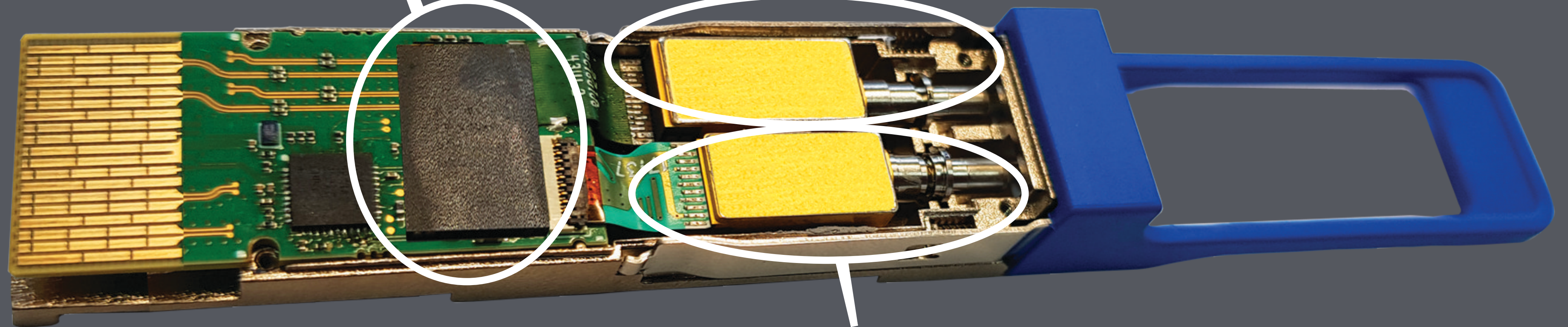


10G



Digital Signal Processor

TRANSMITTER

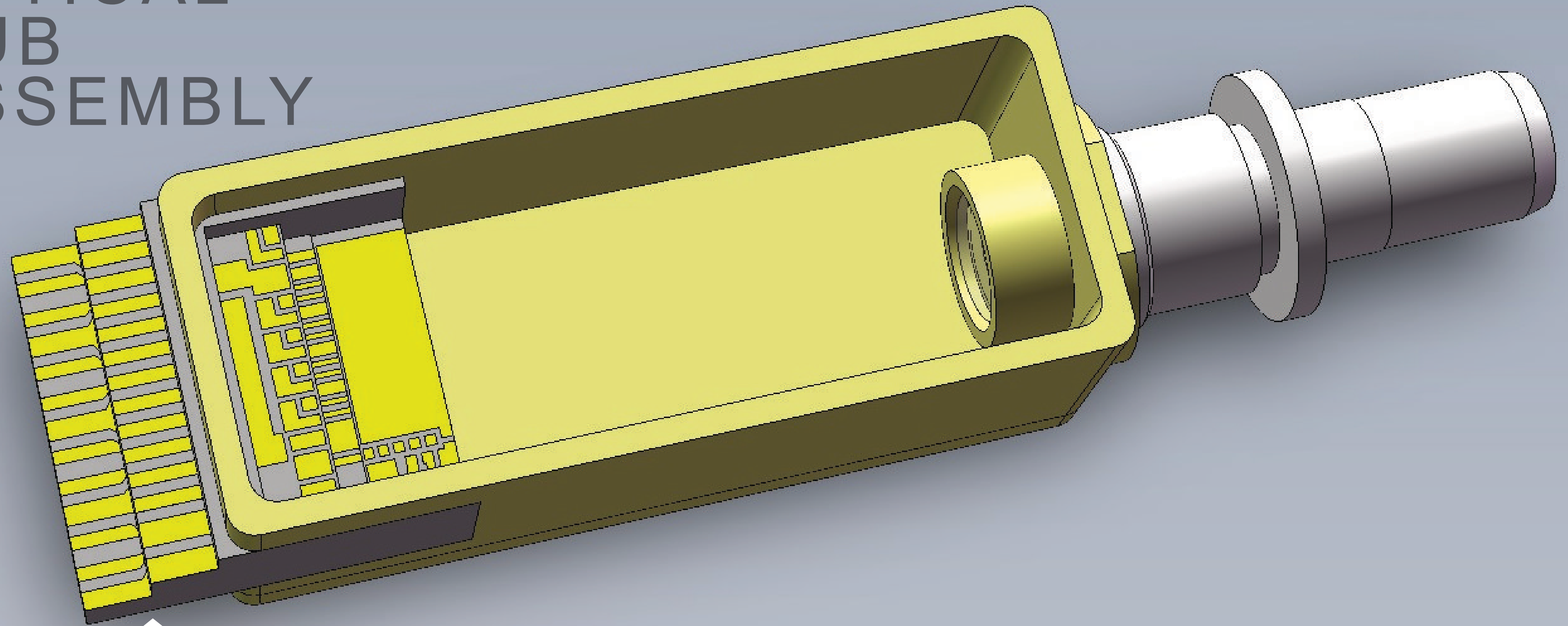


reCEIVER

TRANSMITTER

T
O
S
A

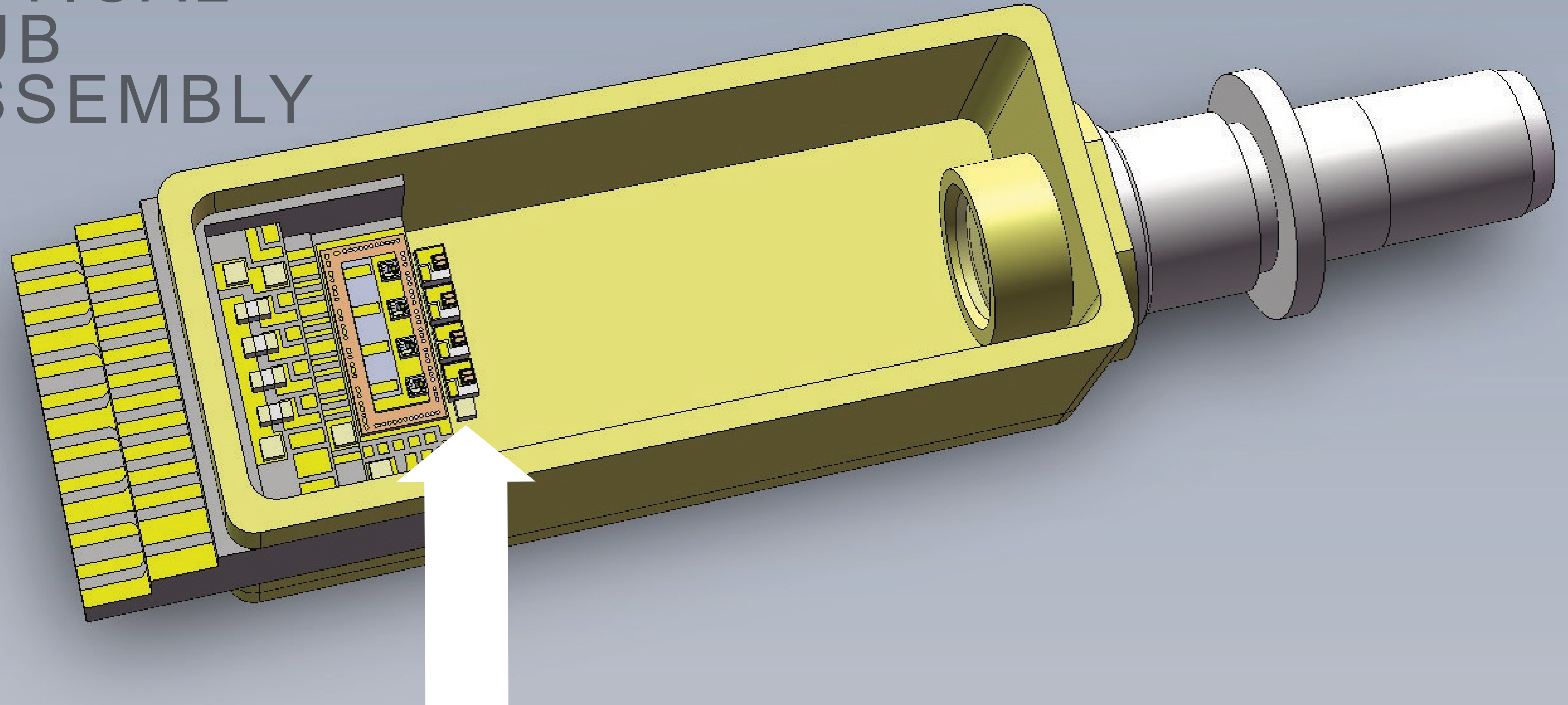
TRANSMITTER
OPTICAL
SUB
ASSEMBLY



electrical connector

T
O
S
A

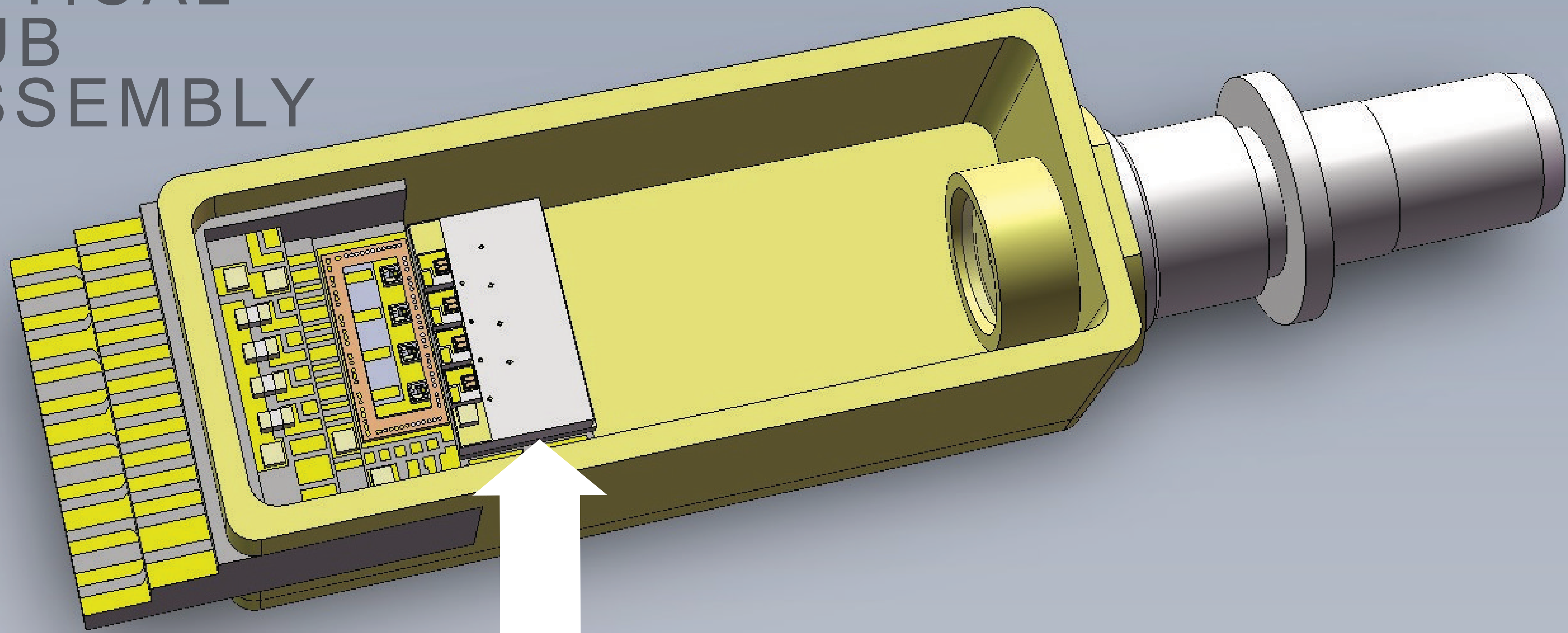
TRANSMITTER
OPTICAL
SUB
ASSEMBLY



laser diodes

T
O
S
A

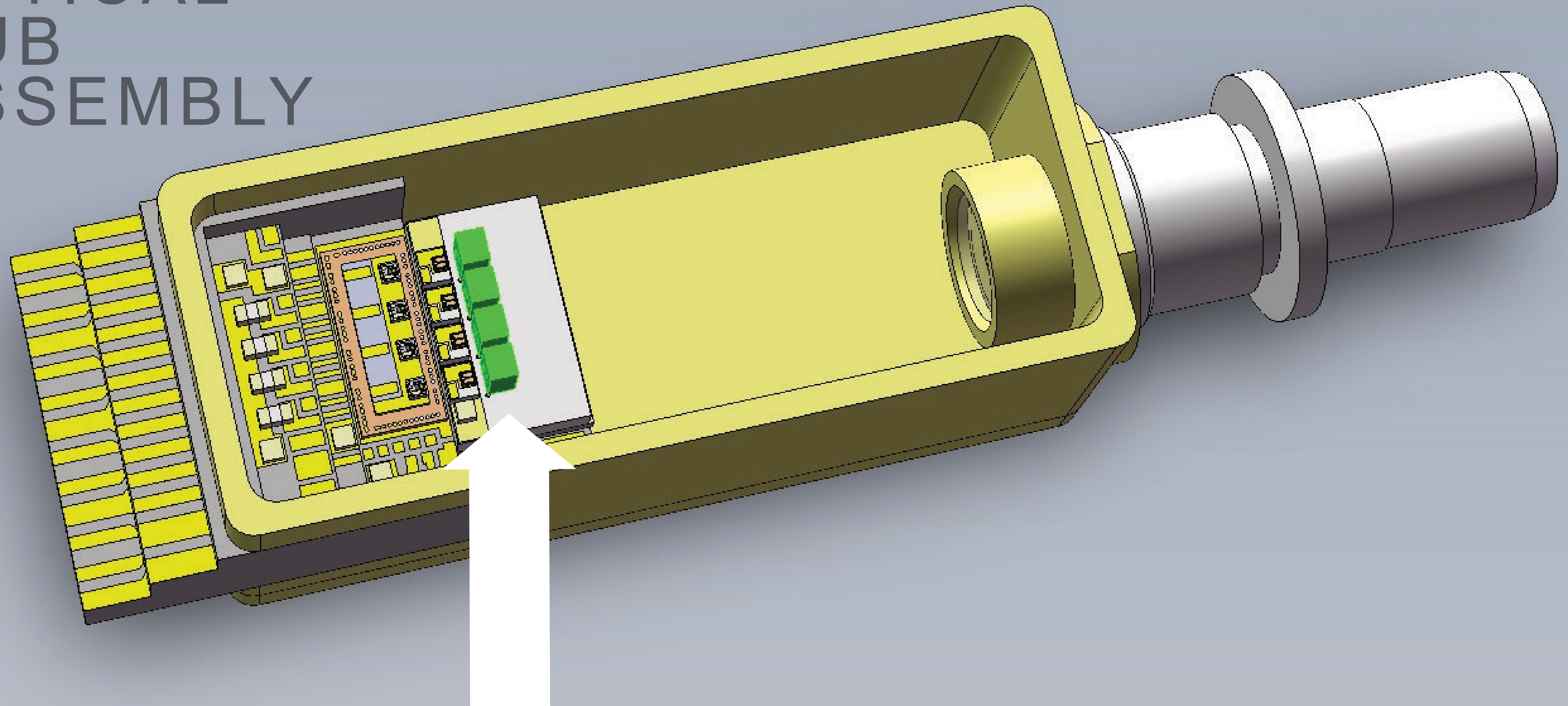
TRANSMITTER
OPTICAL
SUB
ASSEMBLY



cooler

T
O
S
A

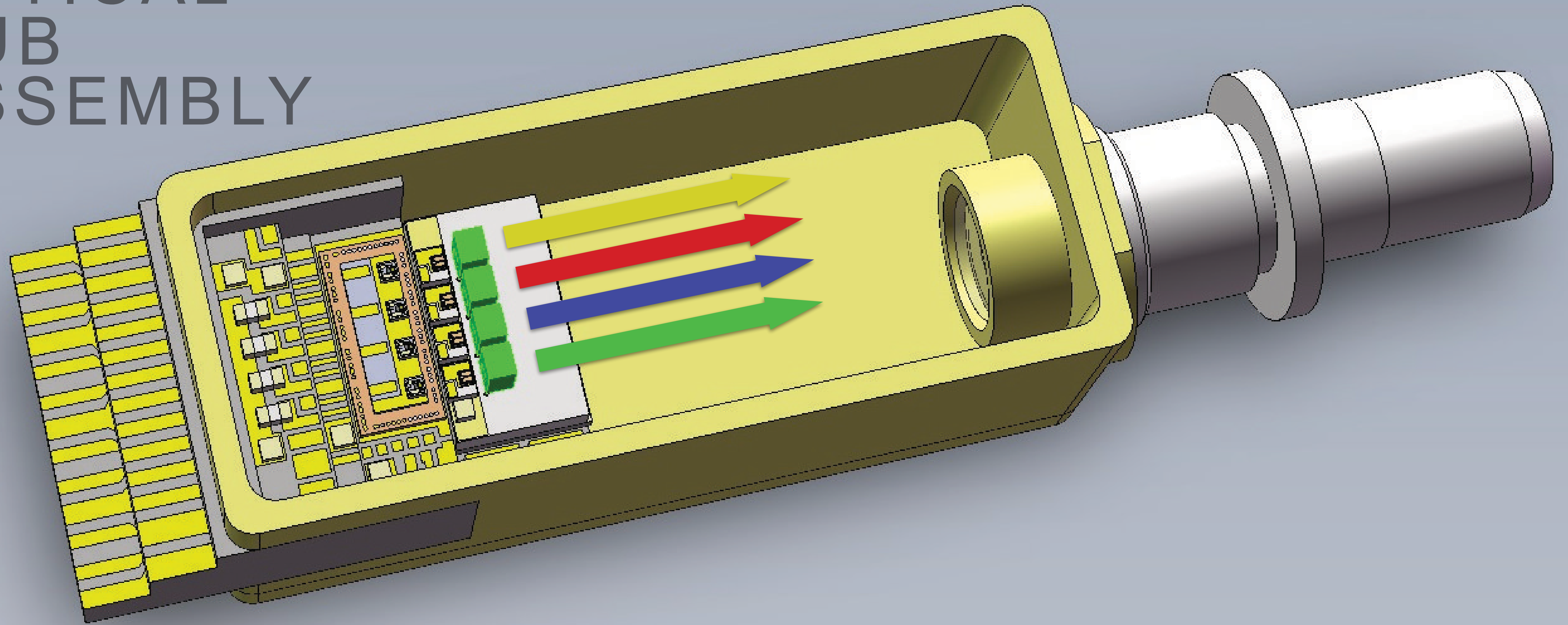
TRANSMITTER
OPTICAL
SUB
ASSEMBLY



optical lenses

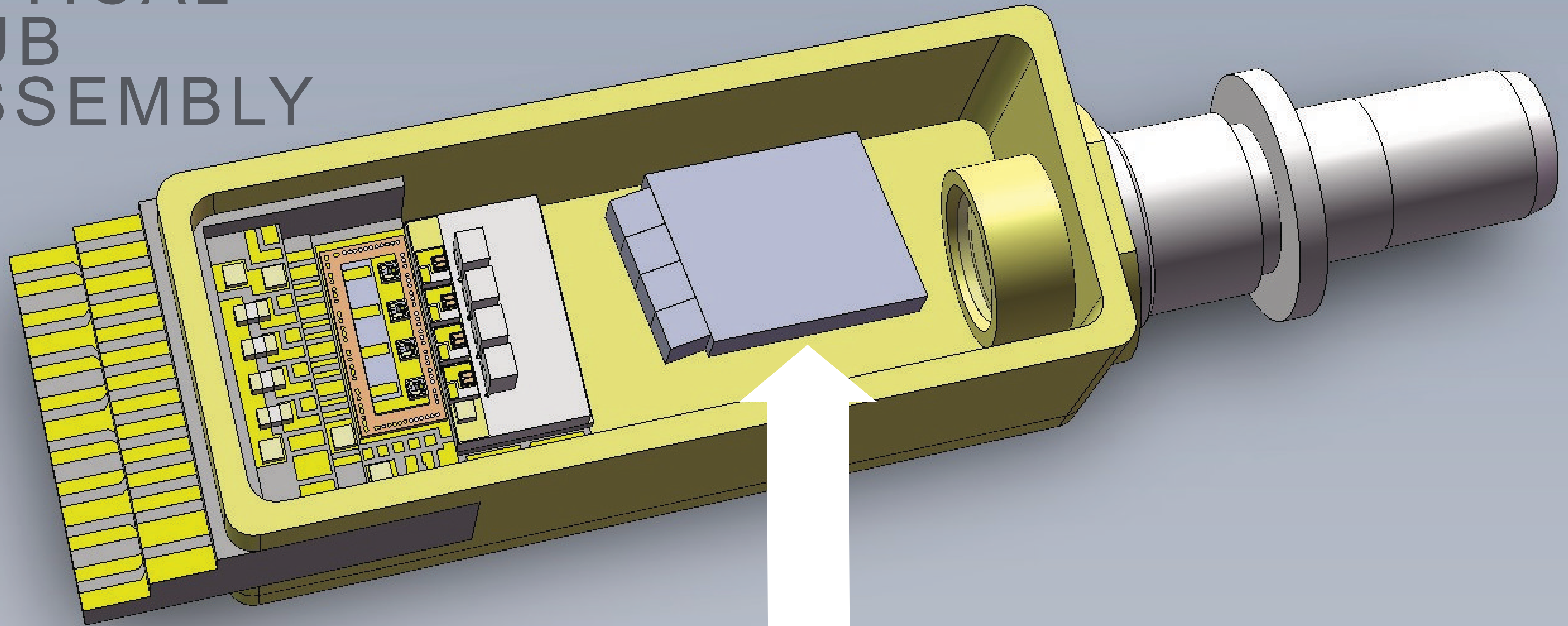
T
O
S
A

TRANSMITTER
OPTICAL
SUB
ASSEMBLY



T
O
S
A

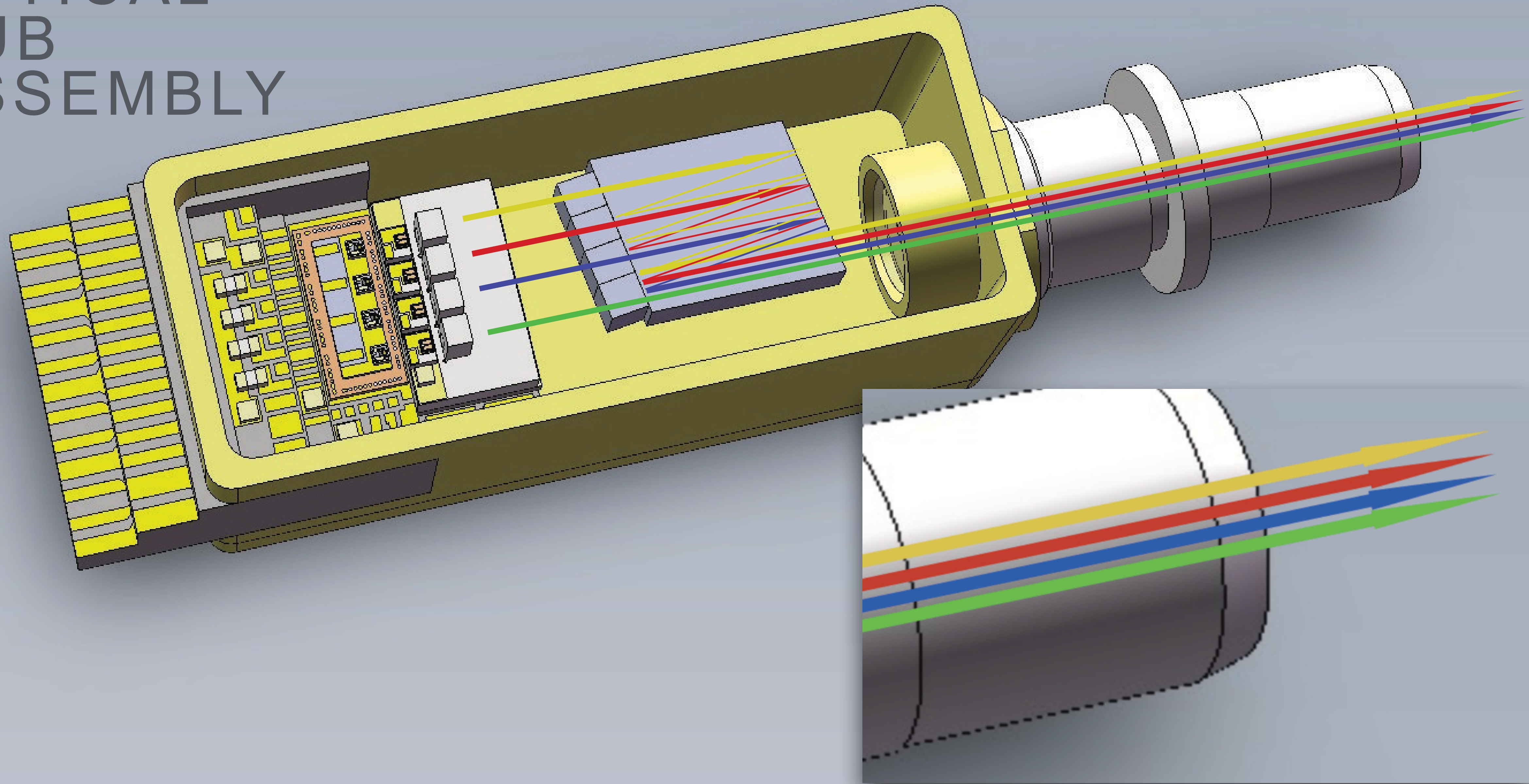
TRANSMITTER
OPTICAL
SUB
ASSEMBLY



optical multiplexer

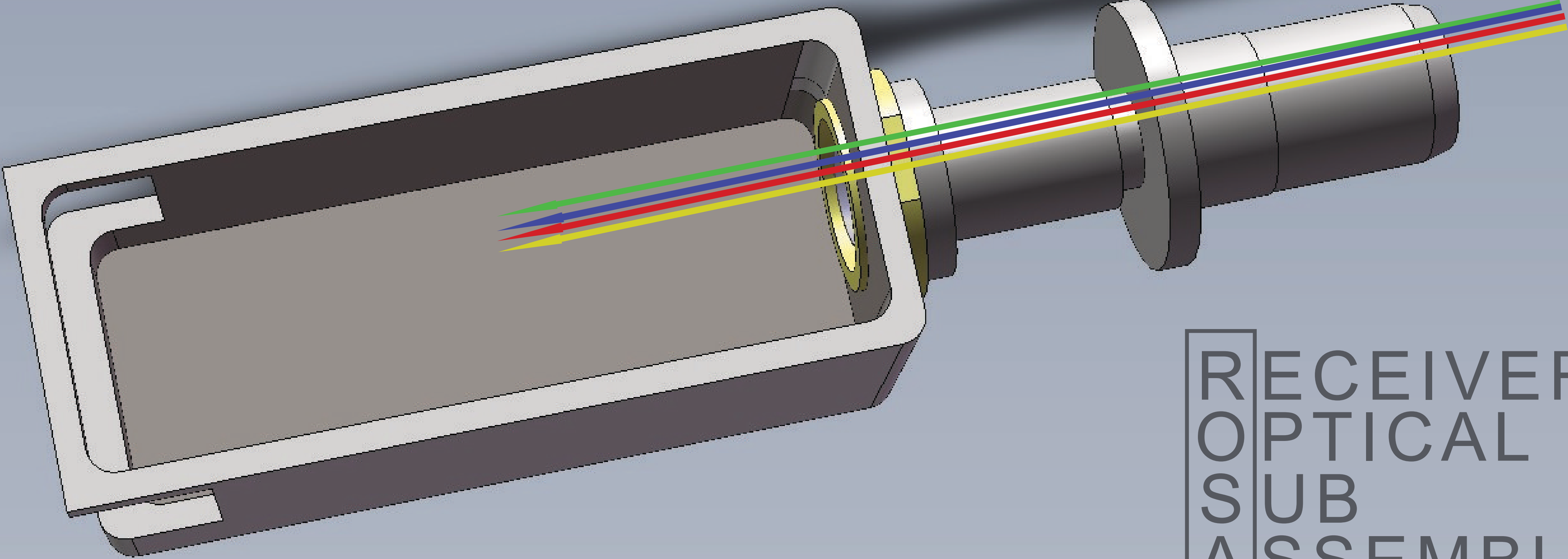
T
O
S
A

TRANSMITTER
OPTICAL
SUB
ASSEMBLY



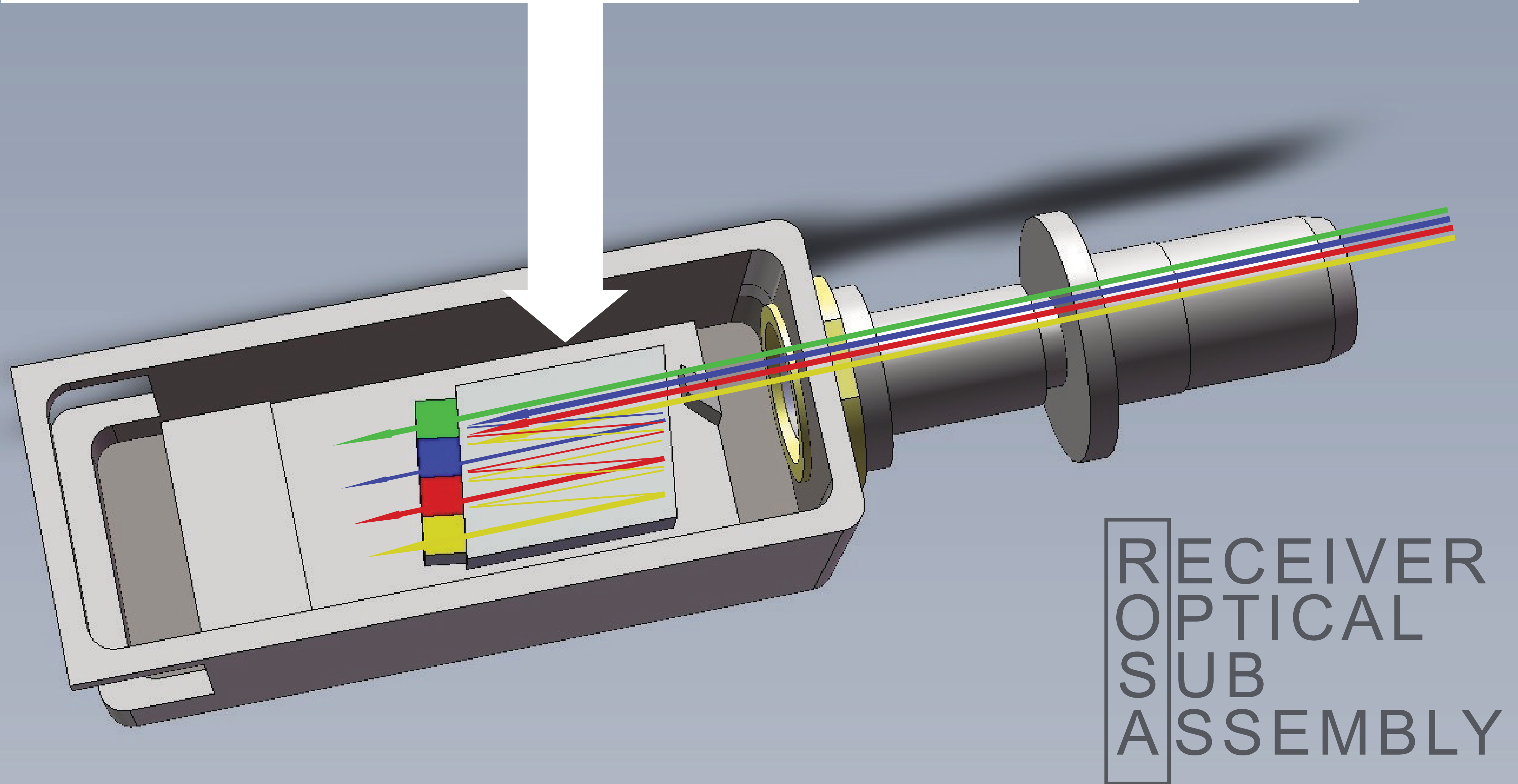
RECEIVER

optical receptacle



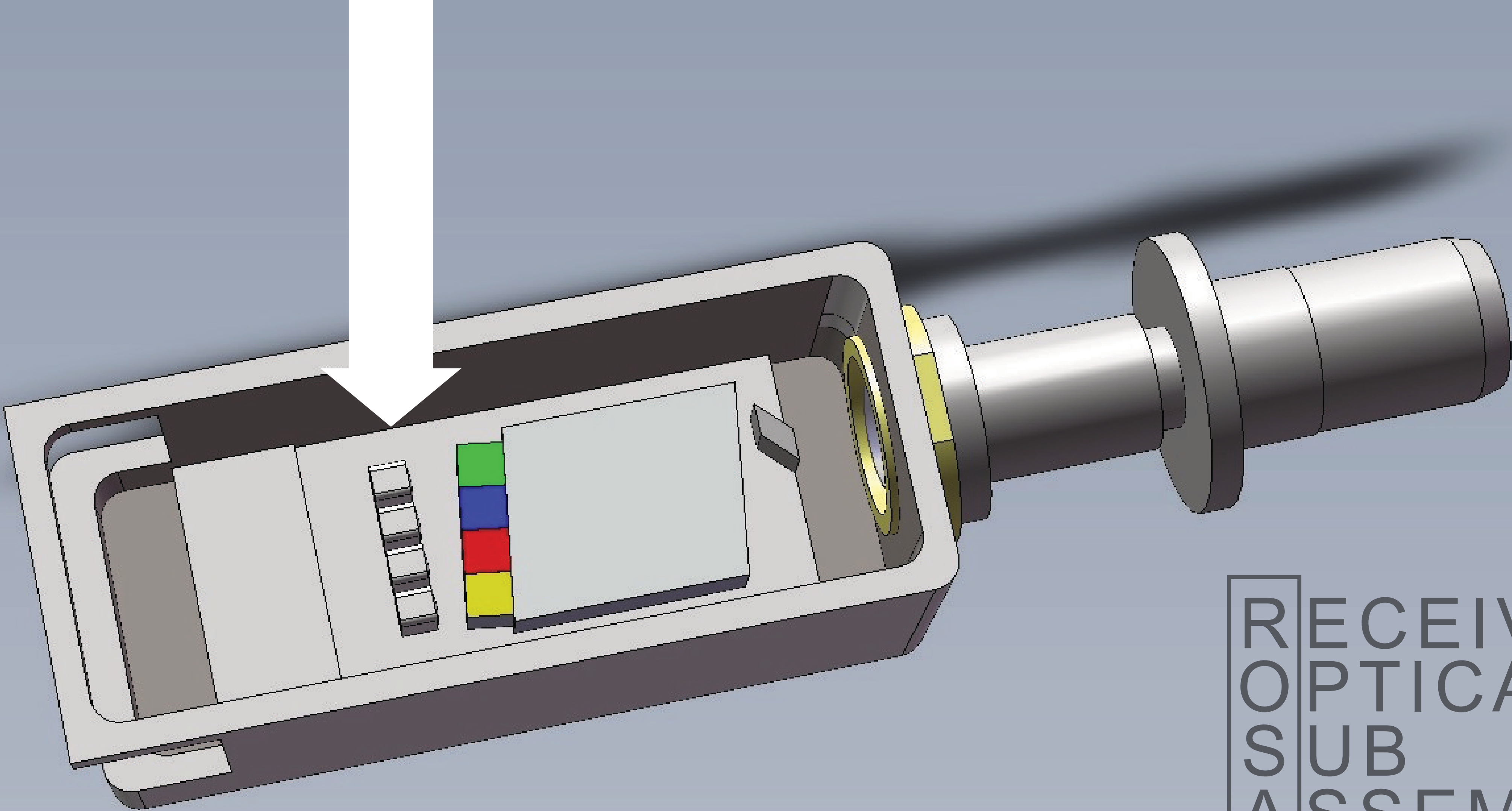
RECEIVER
OPTICAL
SUB
ASSEMBLY

optical demultiplexer



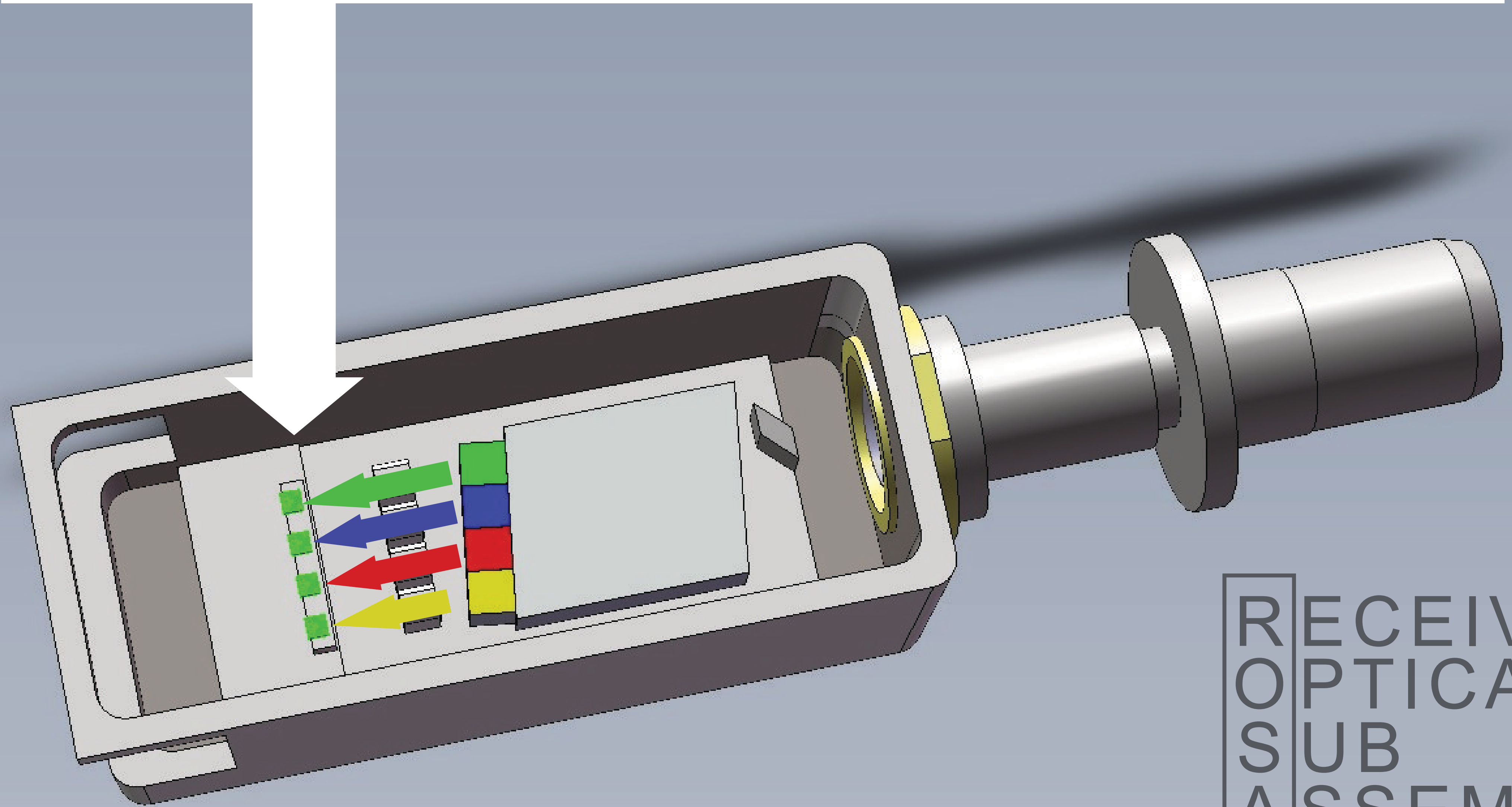
RECEIVER
OPTICAL
SUB
ASSEMBLY

optical lenses



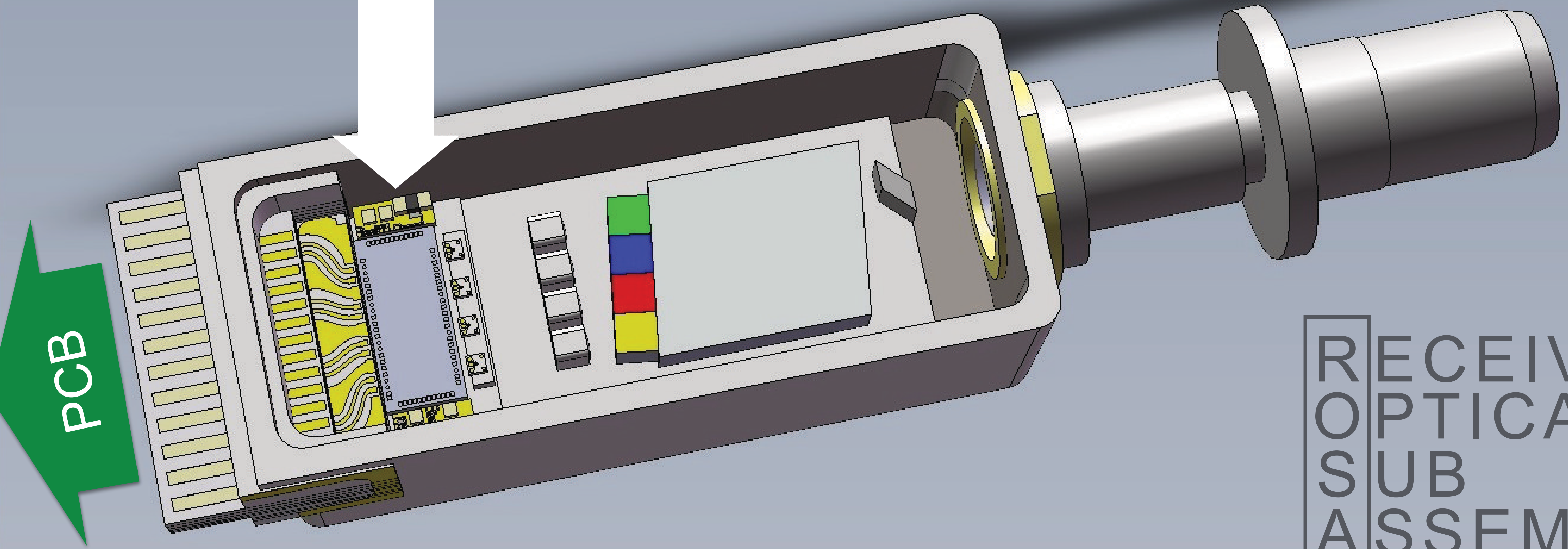
RECEIVER
OPTICAL
SUB
ASSEMBLY

PIN diode



RECEIVER
OPTICAL
SUB
ASSEMBLY

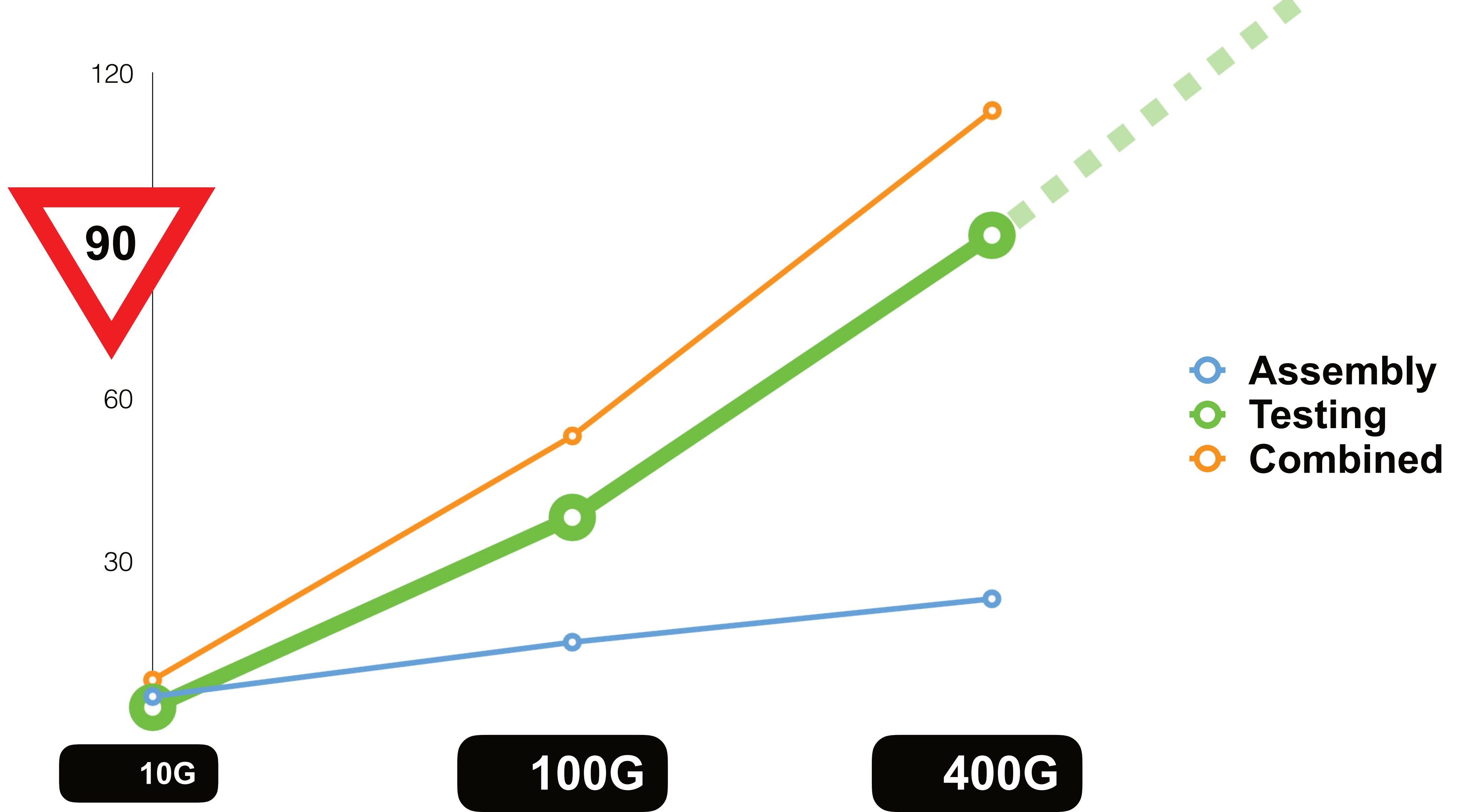
amplifier



RECEIVER
OPTICAL
SUB
ASSEMBLY

production

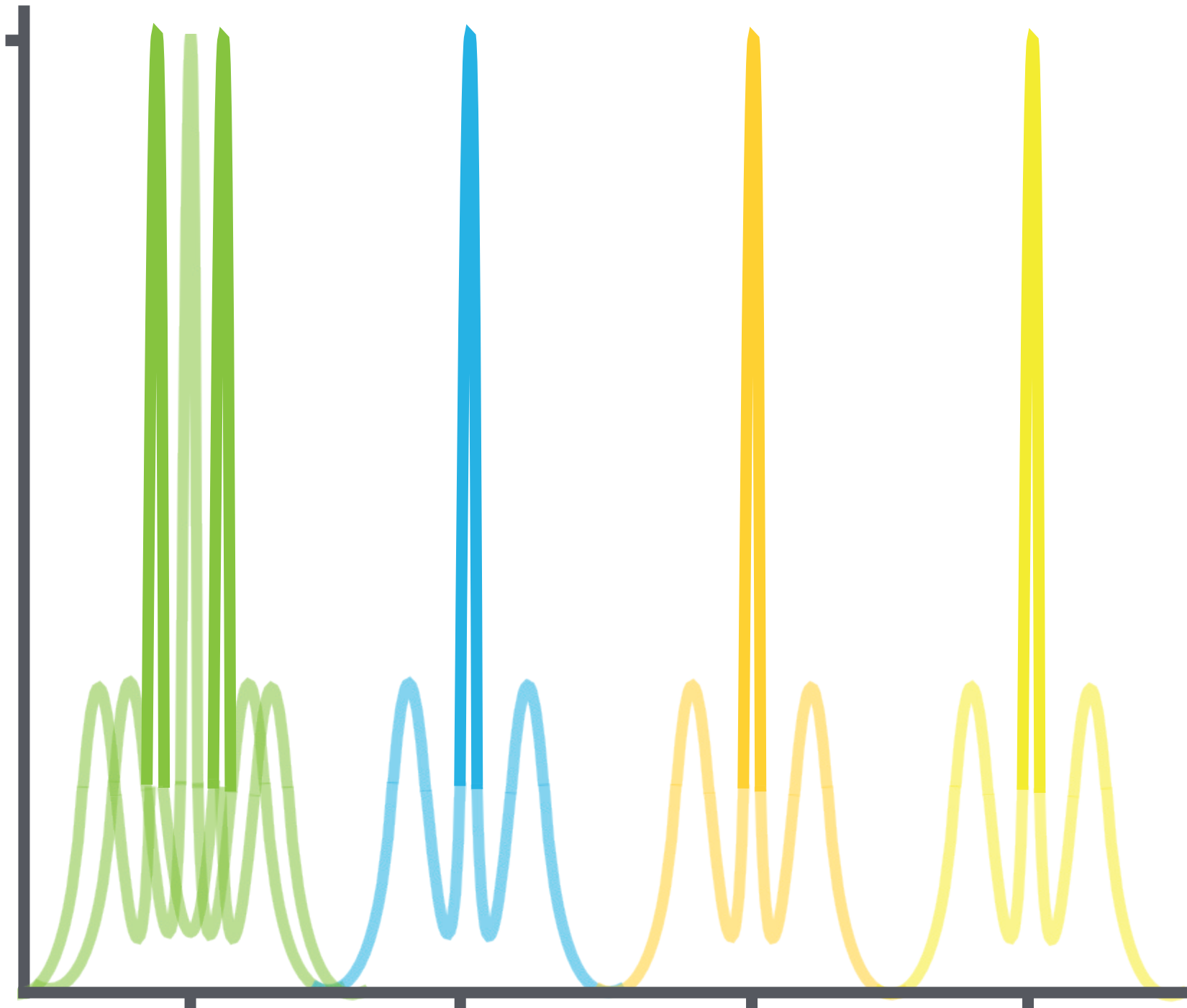




T I M I N I N G



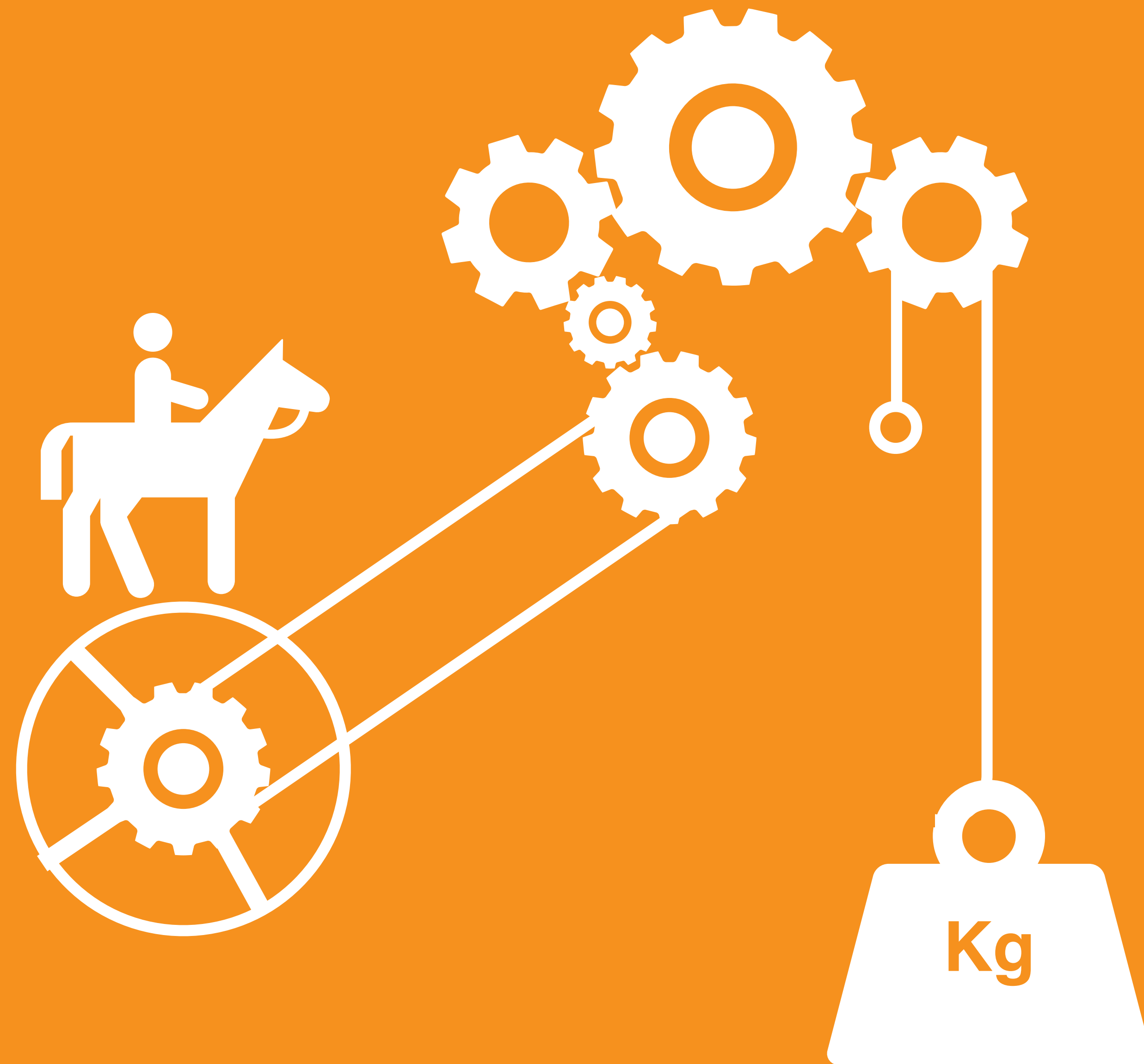
Spectrum

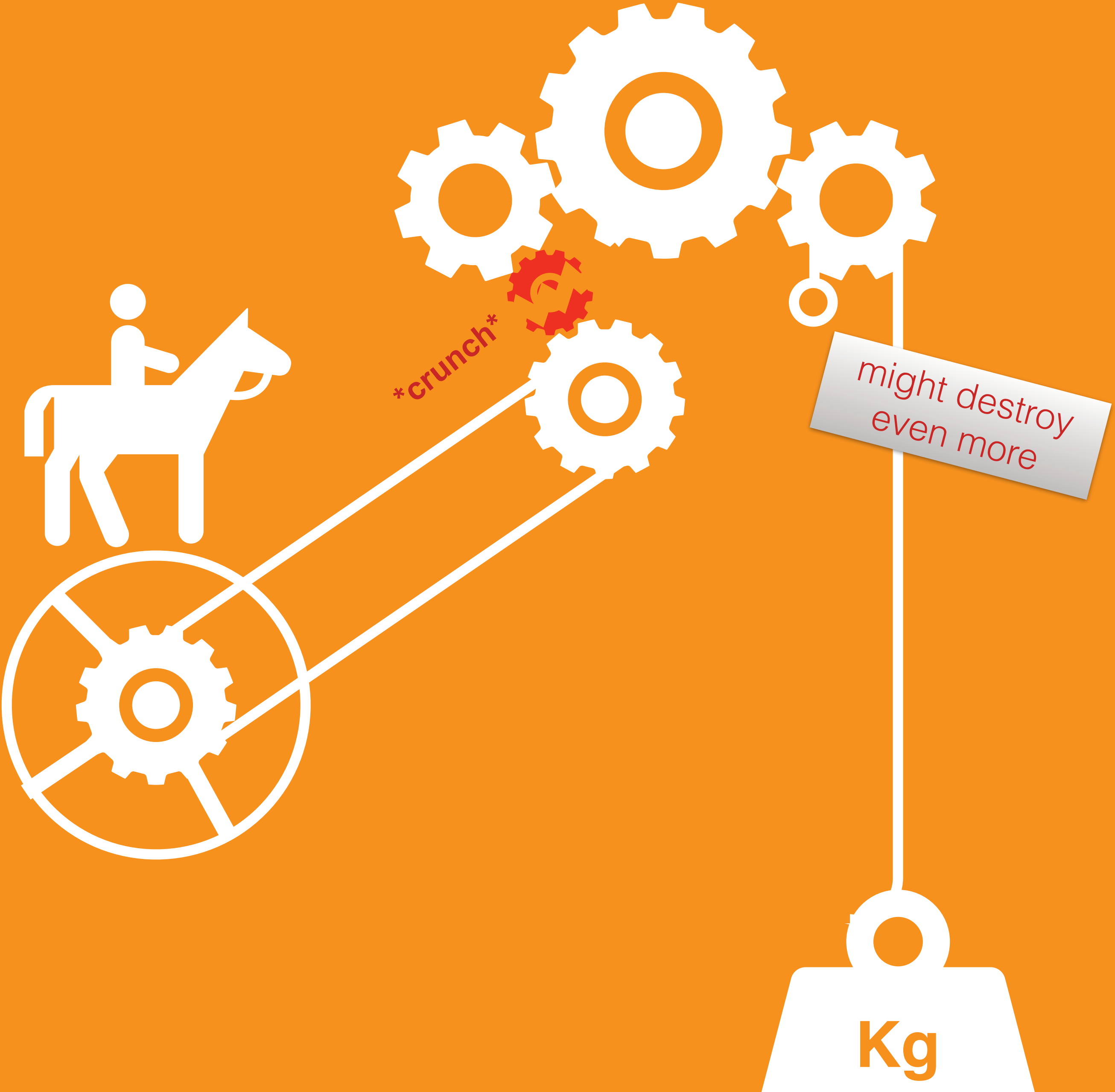


0°C

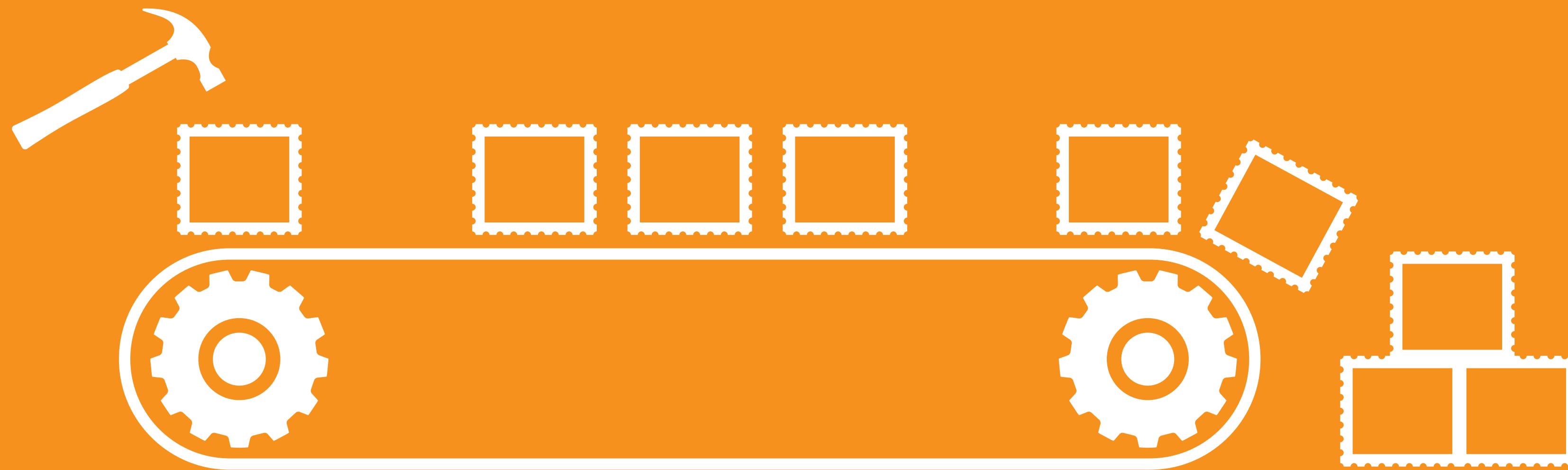
+70°C

TEMPERATURE





production



Forward Error Correction



100G

FEC
ENC

FEC
DEC



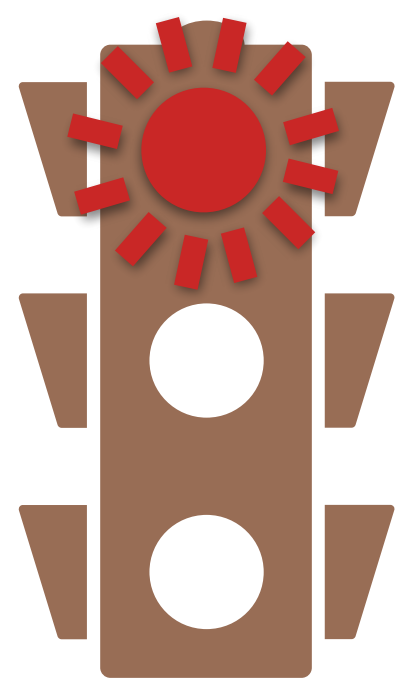
Switch

Switch

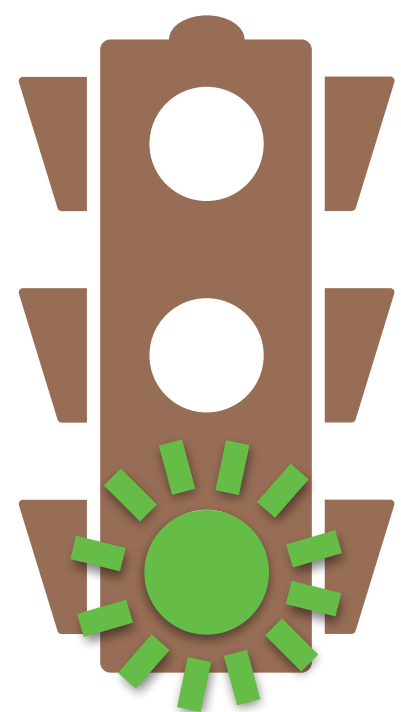
1



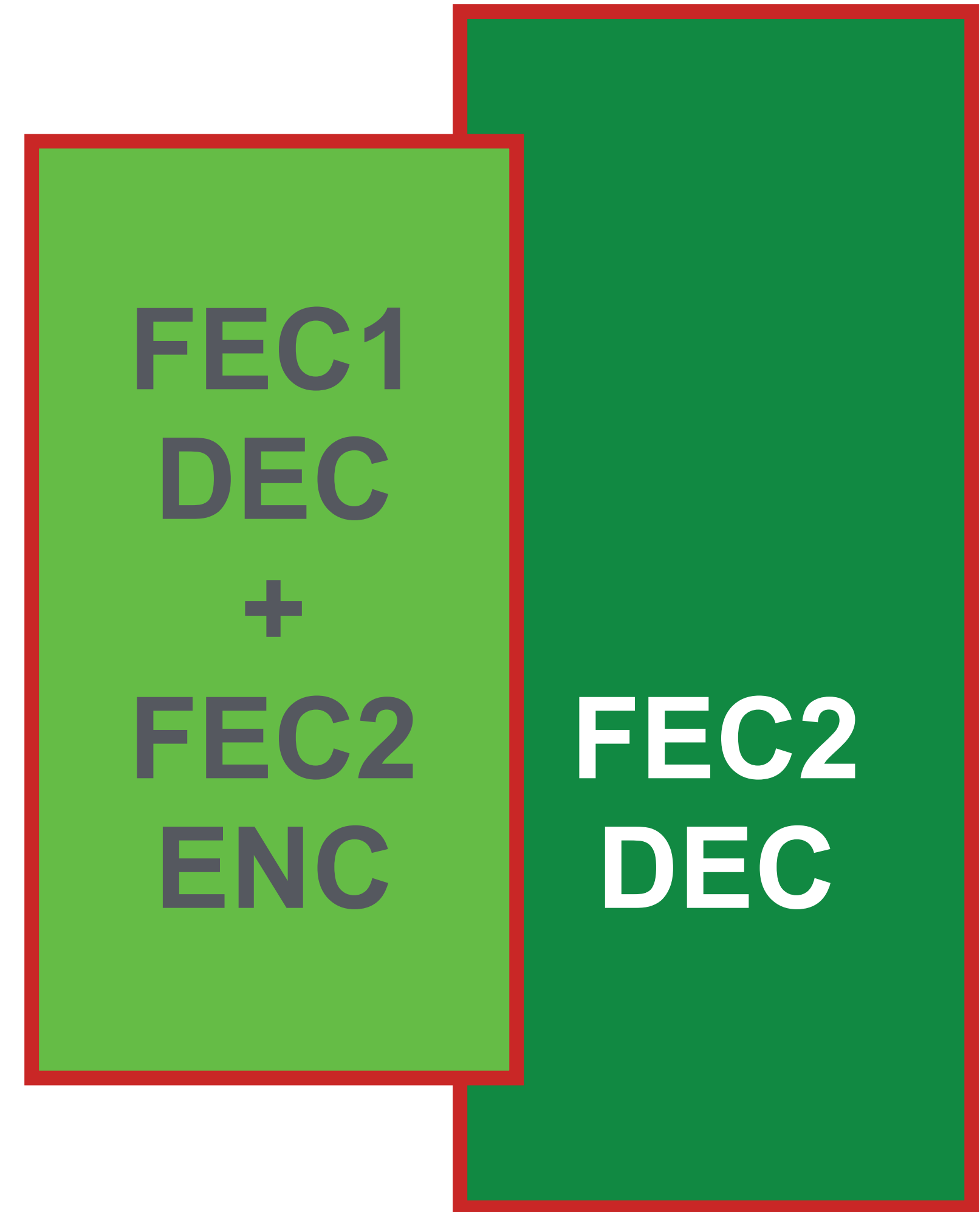
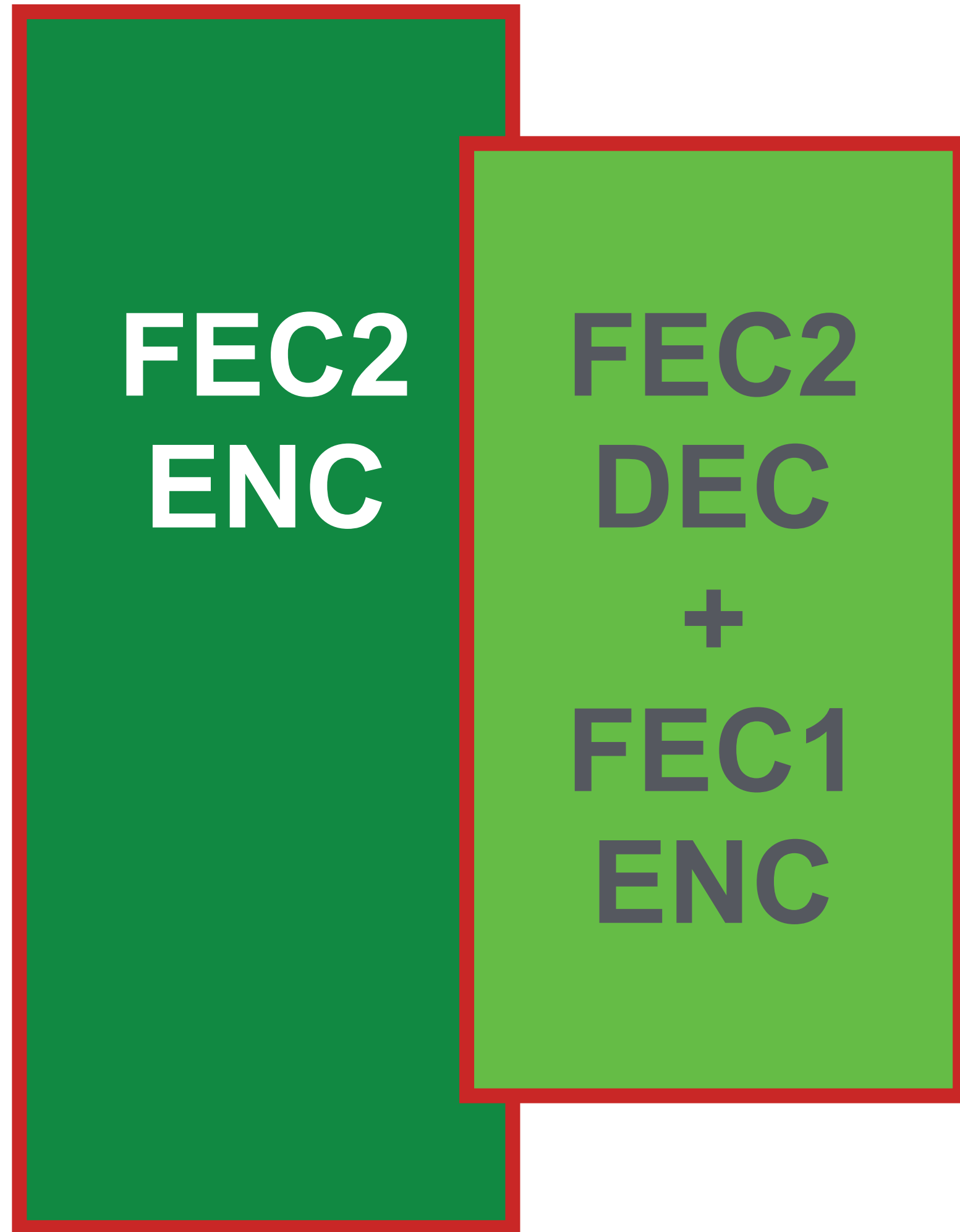
2



3

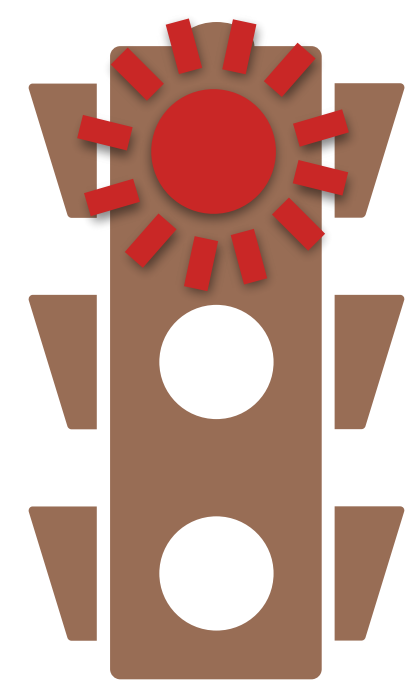


400G



Switch QSFP-DD OSFP

QSFP-DD OSFP **Switch**



unequal # of
FEC's in line

new



 FLEXOPTIX

400G LR4 as CWDM4  or LAN-WDM 

100G ER4 + ZR4

 **50G ER**



40G DWDM LR

25G DWDM LR



THE FLEXBOX CREATORS

THOMAS.WEIBLE@FLEXOPTIX.NET



1
revolutionary
development



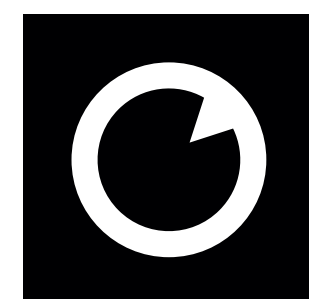
56
flexperts



48322
transceiver
compatibilities



THANK YOU



FLEXOPTIX